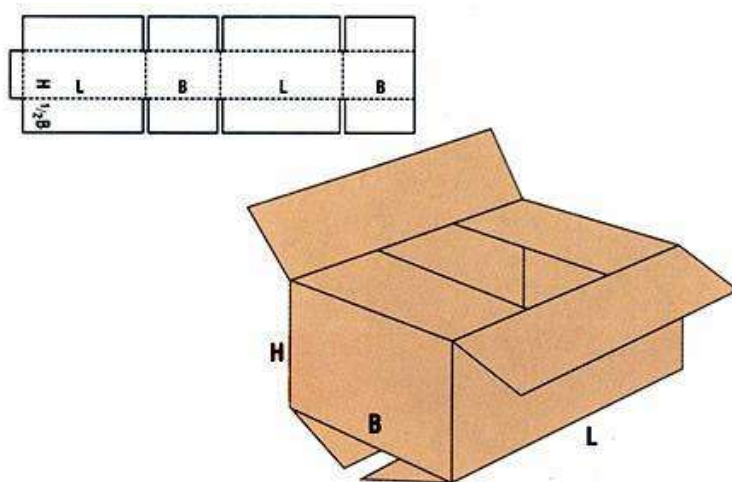


CORRUGATED BOXES:

Corrugated box styles are widely varied to fill a variety of shipping and storage needs and come in many different shapes and sizes, but normally fall under one of several categories:

REGULAR SLOTTED CONTAINER (RSC)

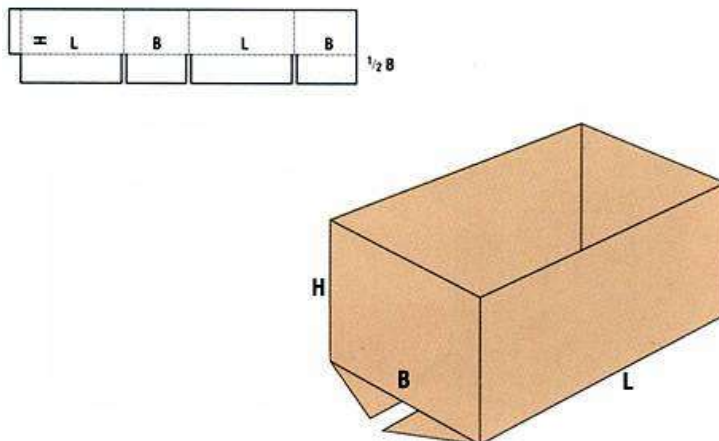
This is the most common box style – a standard shipping box, where the flaps fold down and meet in the middle.



Regular Slotted Container (RSC)

HALF SLOTTED CONTAINER (HSC)

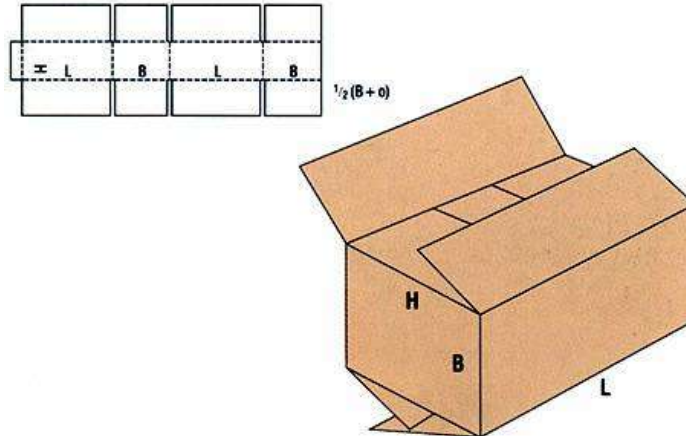
A standard box with no flaps (open) on top.



Half Slotted Container (HSC)

OVERLAP SLOTTED CONTAINER (OSC)

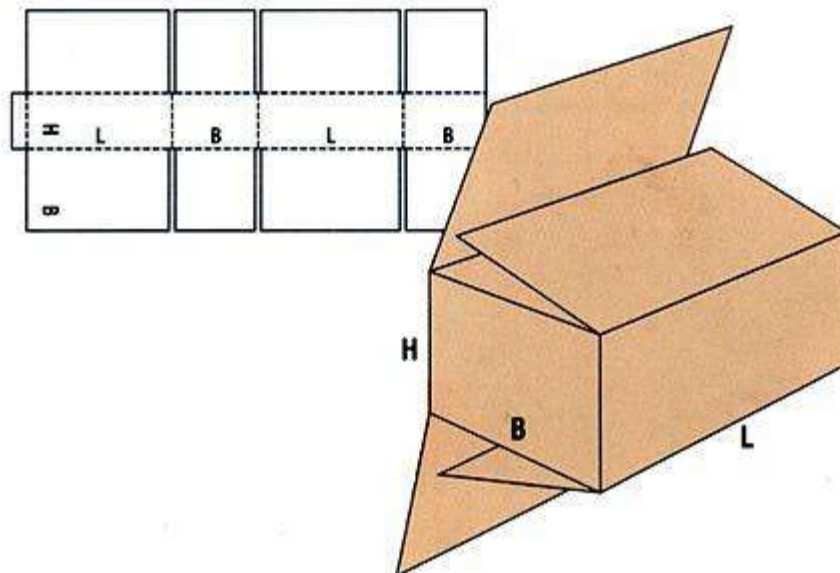
A standard box with the top and/or bottom outer flaps partially overlapping.



Overlap Slotted Container (OSC)

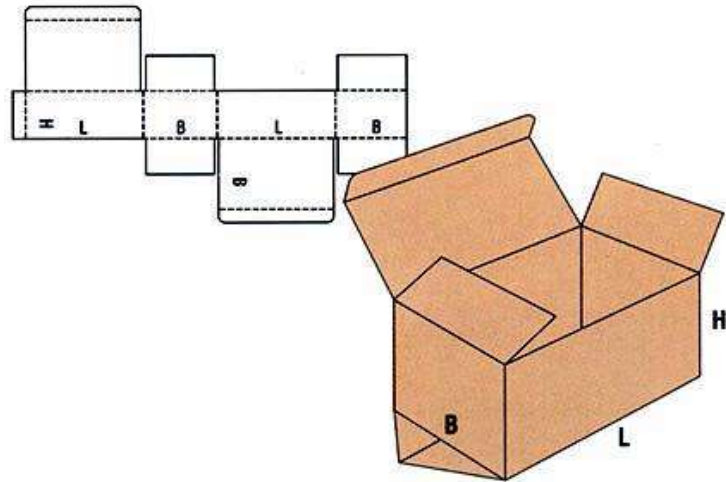
FULL OVERLAP CONTAINER (FOL)

standard shipping carton where the top and bottom flaps overlap each other. Offers more strength for heavy objects and provides more rigidity to minimize flex.



Full Overlap Container (FOL)

TUCK REAR TOP CONTAINER WITH TUCK FRONT BOTTOM

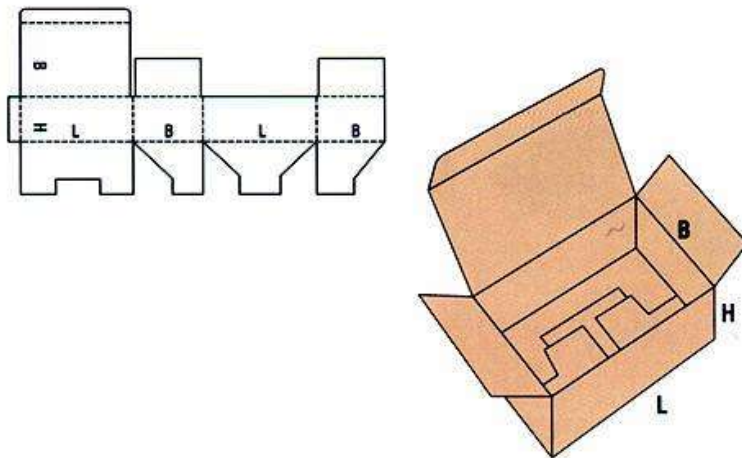


Tuck Rear Top Container With Tuck Front Bottom

SNAP BOTTOM CONTAINER WITH TUCK TOP

The four flaps that form the bottom panel are die cut. To set up, the user folds the largest bottom panel first, then the two end panels. When the remaining bottom panel is folded and pressure is applied near the center, the flap “snaps” into the slot created by the other panels.

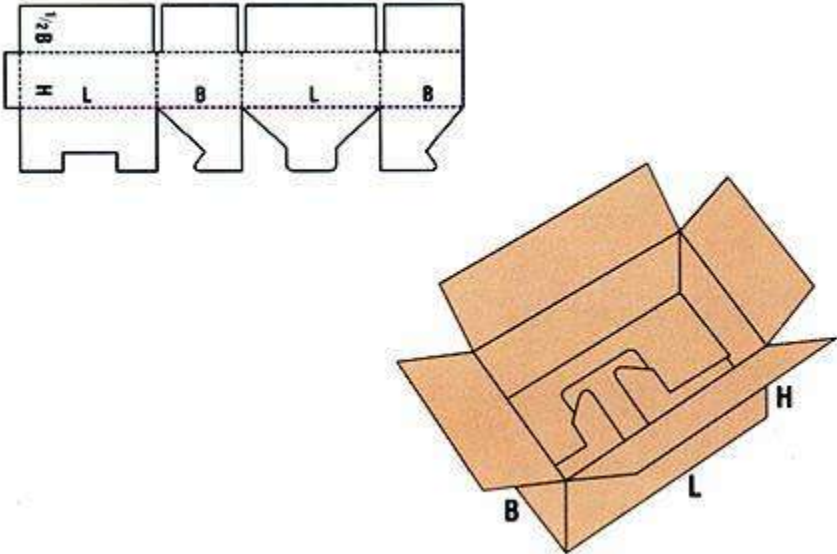
The style is convenient for small-volume shippers who do not have automatic set-up equipment. Because the bottom is not fully sealed, it may not be suitable for heavy products.



Snap Bottom Container With Top Tuck

SNAP BOTTOM CONTAINER WITH RSC TOP

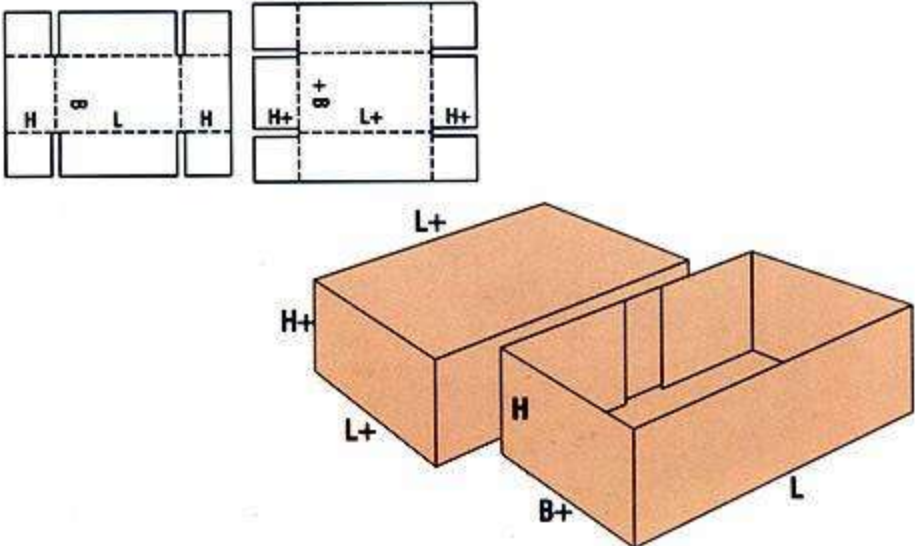
Same as FEFCO-0215, replacing the tuck top configuration with RSC style flaps.



Snap Bottom Container With RSC Top

FULL TELESCOPE DESIGN CONTAINER (FTD)

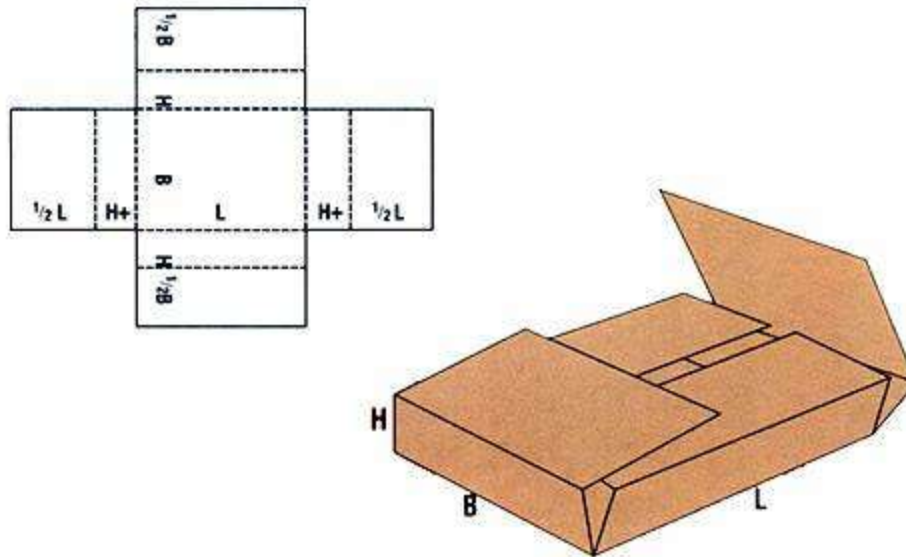
A two-piece box with a separate lid that fits over a bottom tray.



Full Telescope Design Carton (FTD)

ONE PANEL FOLDER (OPF)

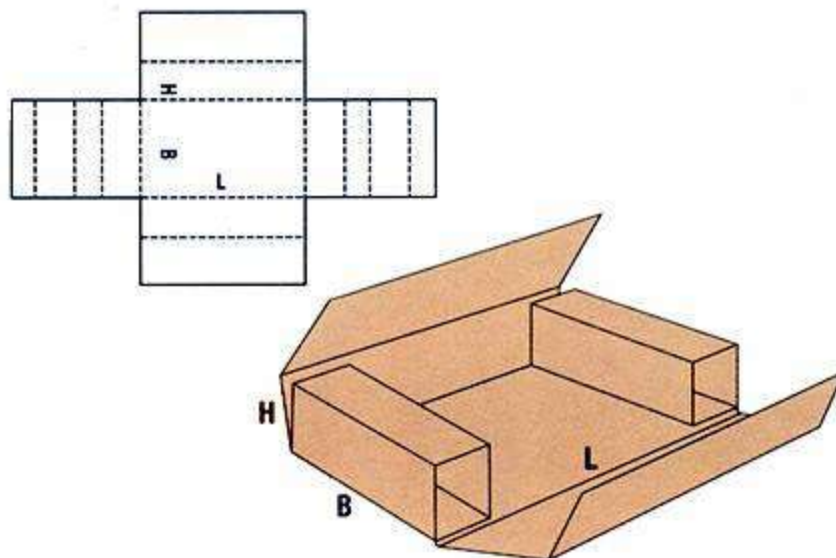
One panel folders are often used as corrugated mailers for books, as they are handy for shipping relatively flat objects.



One Panel Folder (OPF)

ONE PANEL FOLDER WITH END BUFFERS

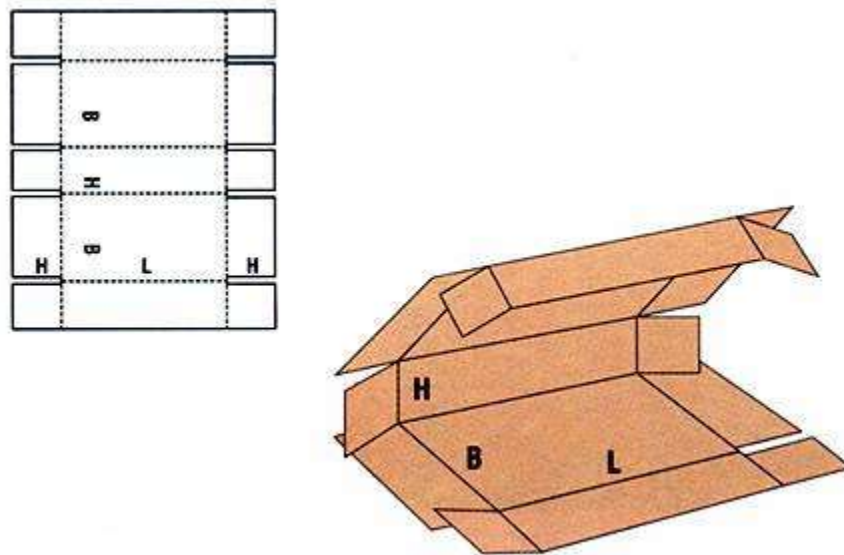
One Pane Folders also come with inner end-folds that help better protect the product inside from damaged corners and sides.



One Panel Folder with End Buffers

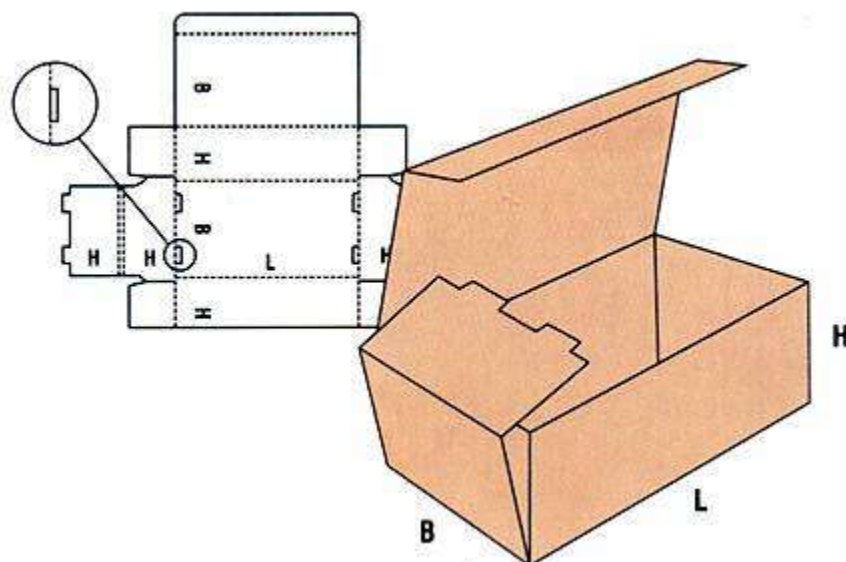
FIVE PANEL FOLDER (FPF)

A Five Panel Folder actually resembles a shallow-depth box when assembled. It is a one-piece box with an over-lapping top and over-lapping end panels.



Five Panel Folder (FPF)

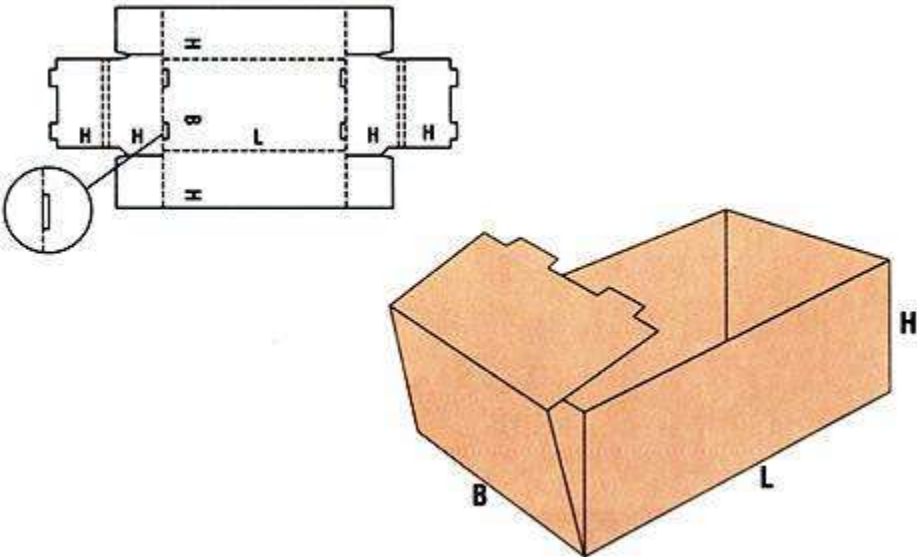
ROLL END TRAY WITH HINGED COVER



Roll End Tray With Hinged Cover

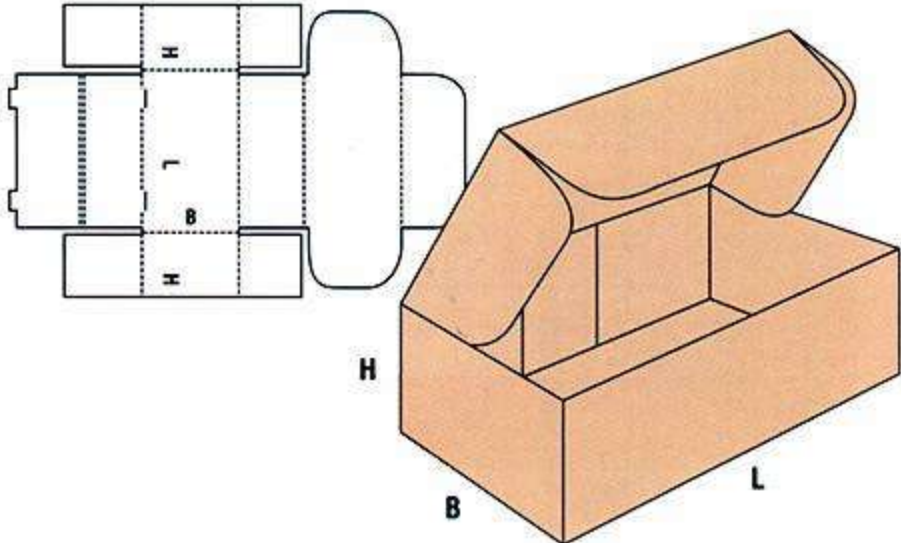
ROLL END TRAY WITH SELF LOCKING ENDS

Formed from a single piece of corrugated board on a die cutter, this design features an unbroken bottom, several layers of corrugated in the end panels and a locking cover.



Roll End Tray With Self Locking Ends

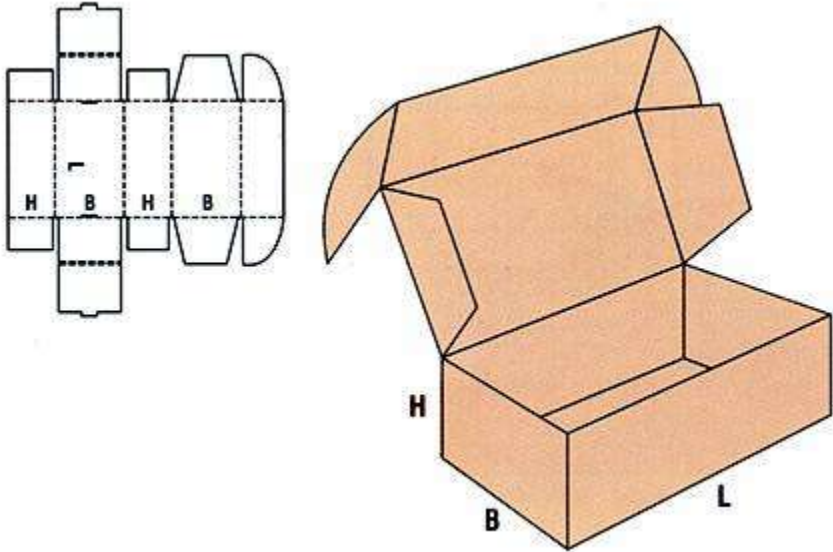
ROLL END TRAY WITH PIZZA STYLE COVER



Roll End Tray With Pizza Box Style Cover

ROLL END TRAY WITH LOCKING COVER

Formed from a single piece of corrugated board on a die cutter, this design features an unbroken bottom, several layers of corrugated in the end panels and a locking cover.



Roll End Tray With Locking Cover